



TM-346 グロメット

Rubber Grommet



特長

機器のシャーシに取り付けるだけで、大きな断線防止効果をもたらします。

用途

測定機・通信機・電気製品等

仕様

硬度：50度±5度

Characteristic

It is effective on preventing wire disconnection only by installing on equipment chassis.

Application

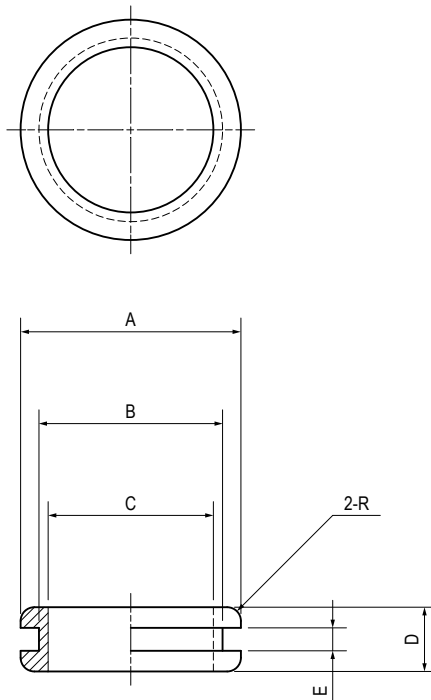
Measuring instruments / Telecommunication devices / Electric appliances, etc.

Specification

Hardness : 50°±5°

材質と処理 Material & Finish

| 材質 Material | 処理 Finish |
|-------------|-----------|
| EPDM | 黒色 Black |



寸法・仕様表 Size List & Specification

| 型番 Model No. | A | B | C | D | E | R | 自重 (g) Net Weight (g) |
|-----------------|-----|-------|-------|-----|-----|------|--------------------------|
| TM-346-1 | φ24 | φ20 | φ18 | 7 | 2.5 | 1.5 | 1.2 |
| TM-346-2 | φ20 | φ14 | φ12 | 7.4 | 2.3 | 2 | 0.6 |
| TM-346-3 | φ19 | φ15.5 | φ13.5 | 5 | | 0.75 | |
| TM-346-4 | φ18 | φ12.5 | φ9.5 | 6 | 2 | 1.75 | 1 |
| TM-346-5 | φ16 | φ11 | φ8.4 | 7 | 3.2 | 1 | 0.8 |
| TM-346-6 | φ15 | | φ9 | 5 | 1.6 | 1.5 | 0.5 |
| TM-346-7 | φ14 | φ10.5 | φ8 | 6 | 3.2 | 1.25 | |
| TM-346-8 | φ13 | φ9 | φ7 | | 5 | 1.6 | 1.5 |
| TM-346-9 | φ11 | φ8 | φ6 | 5 | 2.3 | 0.75 | 0.3 |
| TM-346-10 | φ10 | φ7.5 | φ5 | 7 | 2 | 1.5 | 0.4 |
| TM-346-11 | φ9 | φ6 | φ4 | 6 | 2.5 | | 0.2 |
| TM-346-12 | φ8 | φ4.5 | φ3.5 | 4 | 2 | 0.5 | 0.1 |
| TM-346-13 | | φ6 | φ4 | | 1 | 0.75 | 0.2 |
| TM-346-14 | | φ4 | φ1.5 | | | | |